

ON THE ROAD TOWARDS SLASH

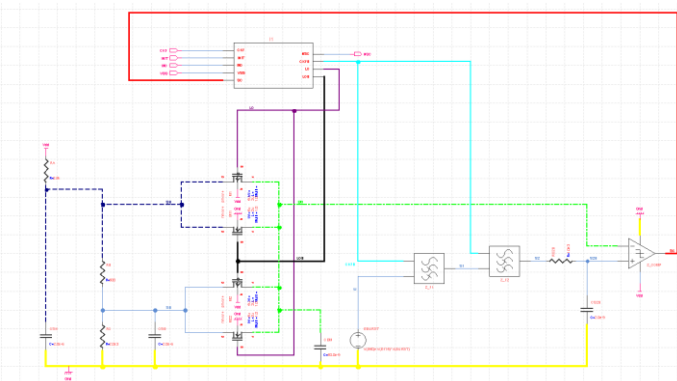
SLED 2.7 significantly improves its ergonomics with new graphic net attributes, with an easier access to tutorials and with a new installer.

SLASH, merging SLED with SMASH, will provide an integrated user experience with a unified user interface for schematic driven simulation.

GRAPHIC NET ATTRIBUTES

Improved readability of schematics by allowing to easily change the color, the line width and drawing style of any net using the Property Editor.

Graphic net attributes greatly enhance the visibility of net connections in schematics, especially when net connection by name is used.



API ENHANCEMENTS

Following closely our customer needs for scripting capabilities, the ability to iterate over libraries according to their types has been added to the SLED 2.7 API.

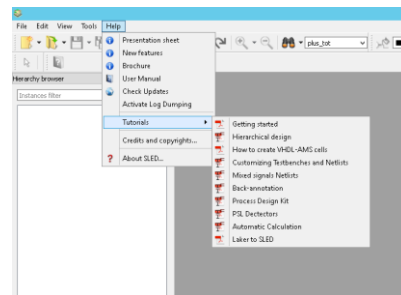
ON THE ROAD TOWARDS 64 BITS

The next spring version of SLED for Windows and Linux will be a 64-bit version to provide performance gains for users with 64-bit systems. To partake in the SLED 64-bit beta test, do not hesitate to contact us.



EASIER ACCESS TO TUTORIALS

Tutorials and their associated projects are now directly accessible from the Help Menu for easy discovery of SLED 2.7.



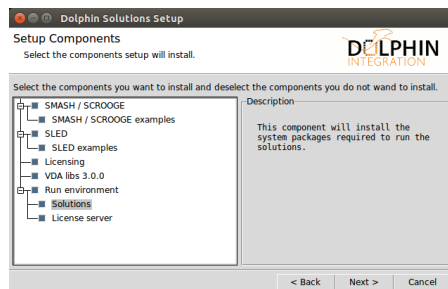
IMPROVED INSTALLER

Linux:

- Ability to install the required system packages for the most common Linux distributions.
- Smaller installer file for easier download.
- Detection of required disk space and permissions in the target folder, with improved error messages.
- Less temporary disk space required to run the installer.

Windows:

- Take into account the start screen tiles of Windows 8 and later.



YOUR FEEDBACK MATTERS

The flexibility of SLED for multi-language netlisting enables the design of true mixed-signal circuits as well as multi-level and multi-physics systems. To contribute to enhancing the user experience, please provide feedback on your needs to **support@dolphin-integration.com**